

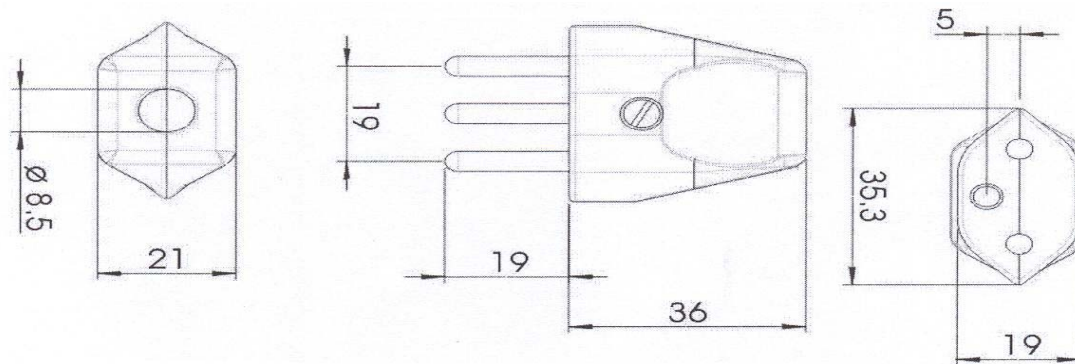
Moulded Cords & Cables Ltd

Product Fact sheet.

MCC REF: STK 386



Description: R/W SWISS PLUG 10A BLACK SEV 1011 RoHS



Voltage	Rated Current	Approvals	Terminal Type	Material of Terminals	Body Material	Cable Entry	Colour
250	10A	+S	Screw	CuZn 39	Polyamide 6	3G1.00,3G1.50mm	BLACK
DO NOT SCALE, DIMENSIONS FOR REFERENCE ONLY							

Unit 15 The Western Centre, Western Road, Bracknell, Berks RG12 1RW
 Tel: +44 (0) 1344 868200 Fax: +44 (0) 1344 868208 W: <http://www.mcc-cables.com>