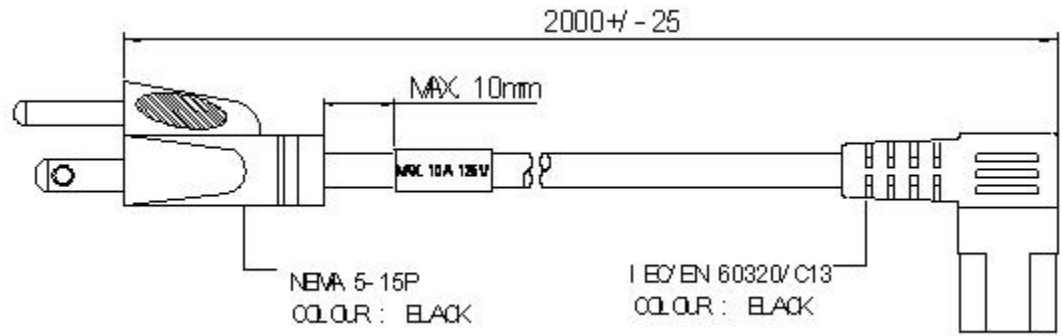


Moulded Cords & Cables Ltd Product Fact sheet.

MCC REF: STK 186



Description: NEMA5-15P USA 18/3 SVT 105C BLK 2M R/A IEC



Cable Details	No of Cores & Diameter				Max Voltage	Approx Length	Amp Rating
SVT	18Awg				125V	2.0M	10A
DO NOT SCALE, DIMENSIONS FOR REFERENCE ONLY							

Unit 15 The Western Centre, Western Road, Bracknell, Berks RG12 1RW
Tel: +44 (0) 1344 868200 Fax: +44 (0) 1344 868208 W: <http://www.mcc-cables.com>