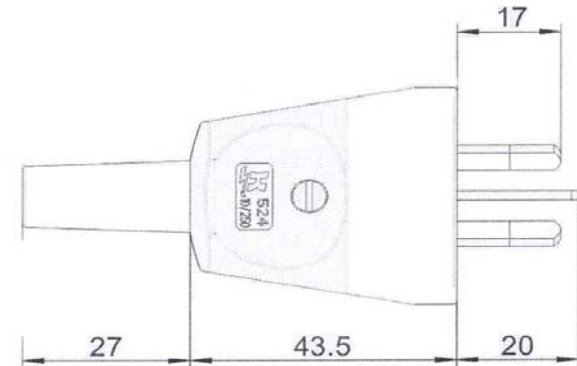
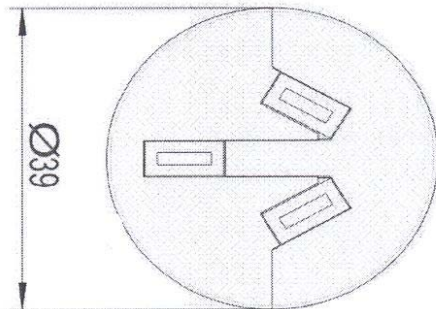


# Moulded Cords & Cables Ltd

## Product Fact sheet.

**MCC REF: STK 185**

**Description: R/W AUSTRALIAN 10A PLUG BLACK AS 3112 RoHS**



Voltage	Rated Current	Approvals	Terminal Type	Material of Terminals	Body Material	Cable Entry	Colour
250Vac	16A	OVE	Screw	CuZn 39	Polypropylene	3x0.75mm,1mm,1.5mm	Black
DO NOT SCALE, DIMENSIONS FOR REFERENCE ONLY							

Unit 15 The Western Centre, Western Road, Bracknell, Berks RG12 1RW  
 Tel: +44 (0) 1344 868200 Fax: +44 (0) 1344 868208 W: <http://www.mcc-cables.com>