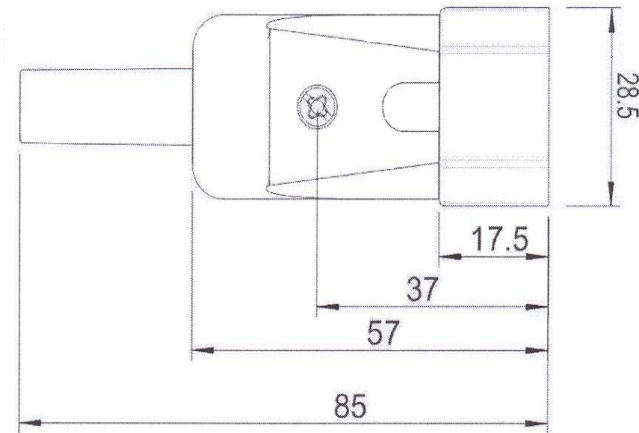
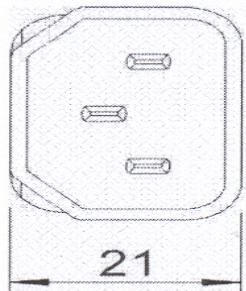


Moulded Cords & Cables Ltd

Product Fact sheet.

MCC REF: STK 152

Description: R/W C14 MALE SHROUDED PLUG BLACK 749 RoHS



Voltage	Rated Current	Approvals	Terminal Type	Material of Terminals	Body Material	Cable Entry	Colour
250Vac	10A	VDE	Screw	CuZn 39	Polyamide 6	3x0.75mm,1mm,1.5mm	Black
DO NOT SCALE, DIMENSIONS FOR REFERENCE ONLY							

Unit 15 The Western Centre, Western Road, Bracknell, Berks RG12 1RW
 Tel: +44 (0) 1344 868200 Fax: +44 (0) 1344 868208 W: <http://www.mcc-cables.com>