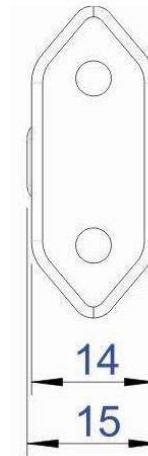
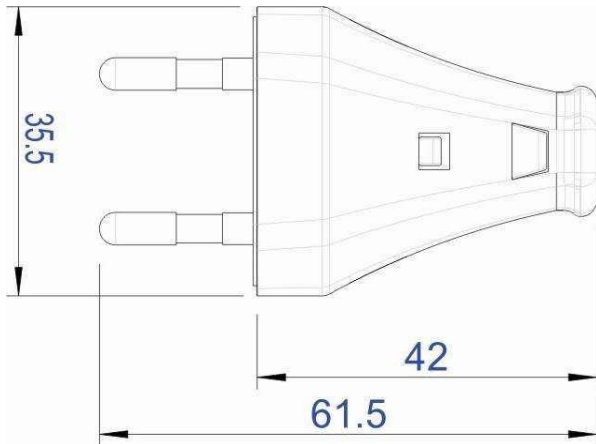


Moulded Cords & Cables Ltd

Product Fact sheet.

MCC REF: STK 15

Description: R/W EURO PLUG 2.5A BLACK RoHS



Voltage	Rated Current	Approvals	Terminal Type	Material of Terminals	Body Material	Cable Entry	Colour
250Vac	2.5A	Kema Keur	Crimp	CuZn 39	Polyamide 6	HO3 VV-F 2x0.75mm	Black
DO NOT SCALE, DIMENSIONS FOR REFERENCE ONLY							

Unit 15 The Western Centre, Western Road, Bracknell, Berks RG12 1RW
 Tel: +44 (0) 1344 868200 Fax: +44 (0) 1344 868208 W: <http://www.mcc-cables.com>