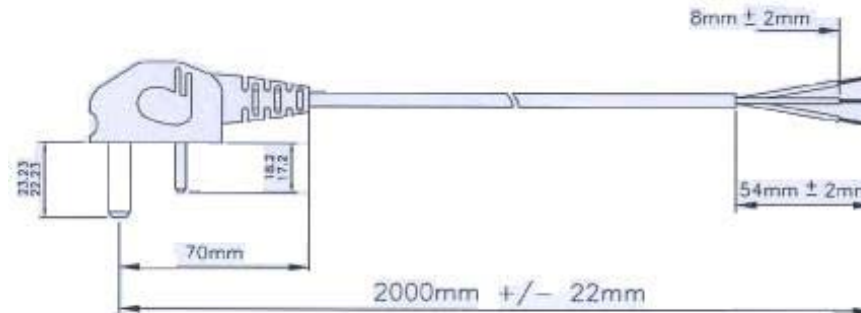


# Moulded Cords & Cables Ltd

## Product Fact sheet.

**MCC REF: STK 133-2**



**Description: UK5 HO5VV-F3X75mm<sup>2</sup> BLACK 2M Stripped 50mm/8mm RoHS**



**Plug Fuse: 5A**

Cable Details	No of Cores & Diameter	Approx Strand Diameter	Approx Overall Diameter(mm)	Temperature Rating	Max Voltage	Approx Length	Amp Rating
HO5VV-F	3X0.75mm <sup>2</sup>	24/0.20mm	6.0 – 7.6	-40°C – 70°C	300/500V	2M	6A

DO NOT SCALE, DIMENSIONS FOR REFERENCE ONLY

Unit 15 The Western Centre, Western Road, Bracknell, Berks RG12 1RW  
 Tel: +44 (0) 1344 868200 Fax: +44 (0) 1344 868208 W: <http://www.mcc-cables.com>