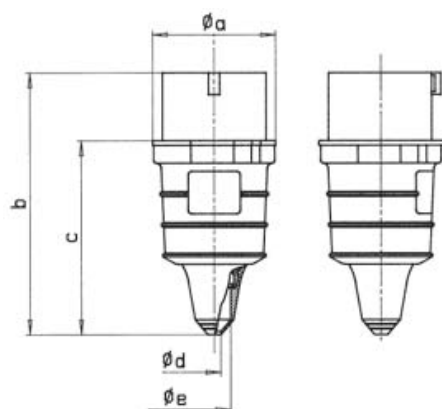


Moulded Cords & Cables Ltd Product Fact sheet.

MCC REF: STK 488-2



Description: R/W Quick Connect Screwless Terminals 2P+E 16Amp 110V IP44 (Splashproof)



aØ	b	c	dØ
53	125.5	86.5	5
eØ	Conductor mm ² min	Conductor mm ² max	
14.5	1	2.5	

Cable Stripping Details are imprinted on the plug!

Voltage	Rated Current	Approvals	Terminal Type
110V	16A	VDE	Quick Connect
DO NOT SCALE, DIMENSIONS FOR REFERENCE ONLY			

Unit 15 The Western Centre, Western Road, Bracknell, Berks RG12 1RW
Tel: +44 (0) 1344 868200 Fax: +44 (0) 1344 868208 W: <http://www.mcc-cables.com>