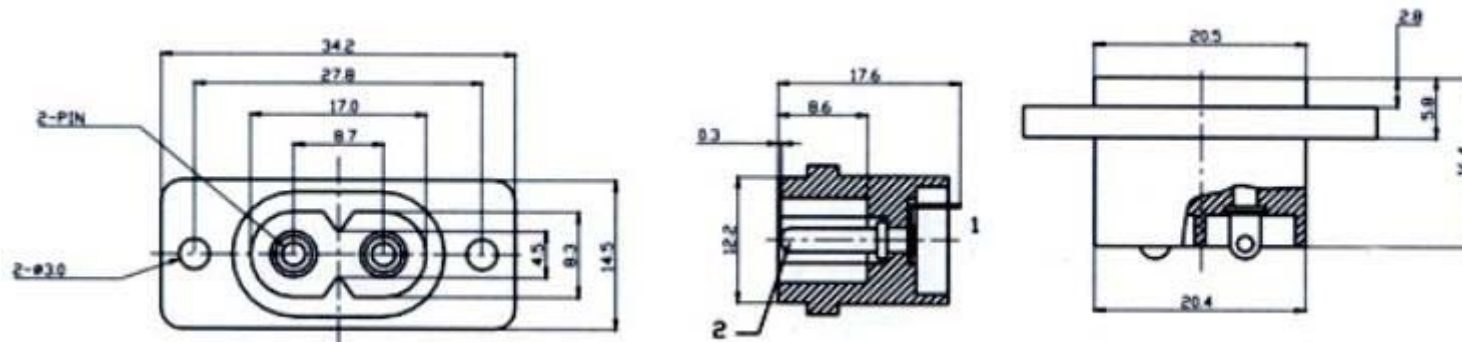


Moulded Cords & Cables Ltd Product Fact sheet.

MCC REF: STK723

Description: C8 INLET SCREW FIX BLACK



DO NOT SCALE, DIMENSIONS FOR REFERENCE ONLY

Unit 15 The Western Centre, Western Road, Bracknell, Berks RG1 1RW
Tel: +44 (0) 1344 868200 Fax: +44 (0) 1344 868208 W: <http://www.mcc-cables.com>