

# MCC FACTSHEET

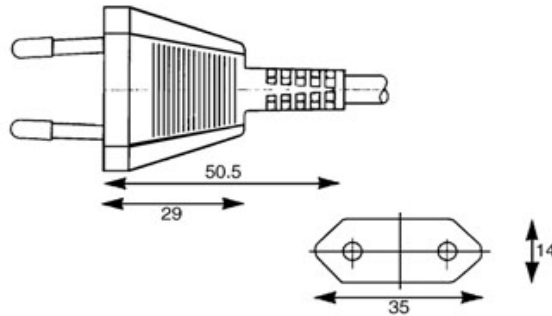


Moulded Cords and Cables Ltd, Unit 15 The Western Centre, Western Road, Bracknell, Berks RG12 1RW UK  
 Tel: +44 (0) 1344 868200 Fax: +44 (0) 1344 868208 Web: www.mcc-cables.com



Product Details		
Stk No	Description	Approvals
278	EUROPLUG HO3VVH2-F2X0.75mm <sup>2</sup> Black 2M C7	

Plug End



Cable Details	No of Cores & diameter	Strand Diameter	Overall diameter	Tempreture	Voltage	Length
HO3VVH2-F	2x0.75mm <sup>2</sup>	0.21mm <sup>2</sup>	3.10mm x 5.00mm	70°C	300/300	2M

Socket End

