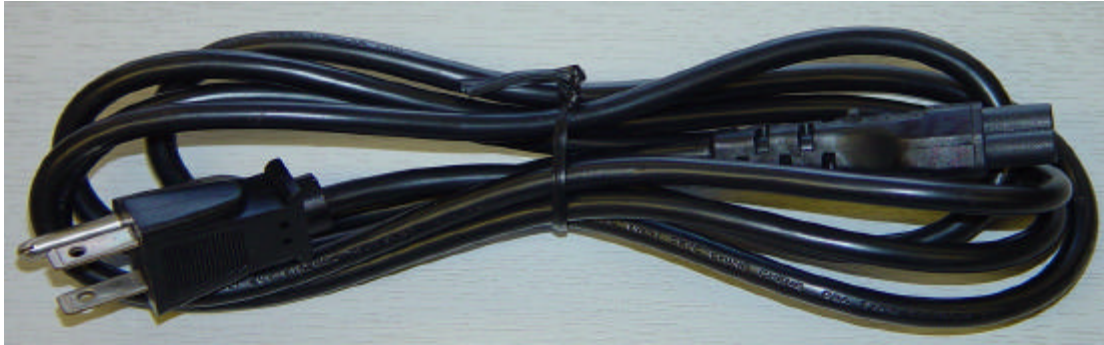


MCC FACTSHEET

STK 217

Moulded
Cords &
Cables Ltd

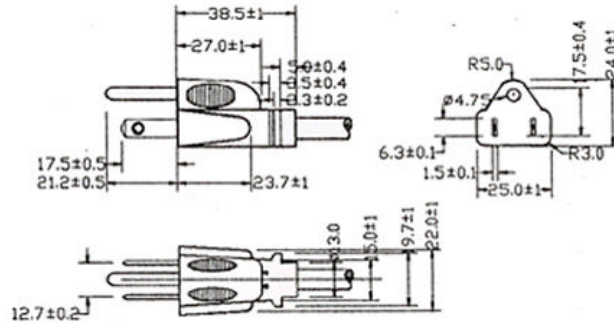
Moulded Cords and Cables Ltd, Unit 15 The Western Centre, Western Road, Bracknell, Berks RG12 1RW UK
Tel: +44 (0) 1344 868200 Fax: +44 (0) 1344 868208 Web: www.mcc-cables.com



Product Details

Stk No	Description	Approvals
217	Nema 5-15P SVT 18/3 Black 2M IEC320 C13 USA Cordset	

Plug End



Cable Details	No of Cores & diameter	Strand Diameter	Overall diameter	Temperature	Voltage	Length	Rating
SVT	18AWGx3	41/0.160	6.3mm ² ±/0.10	75°C	300	2M	10A
Socket End C5							